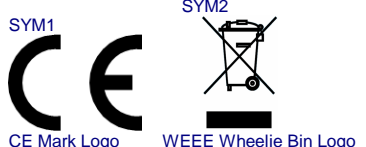
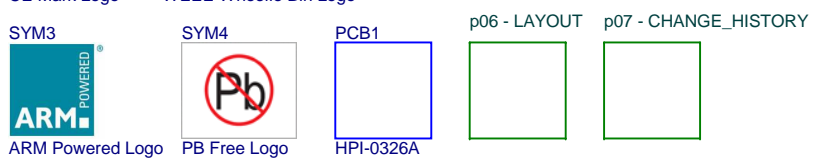


p03 - CMSIS_DAP_SHIELD_POWER

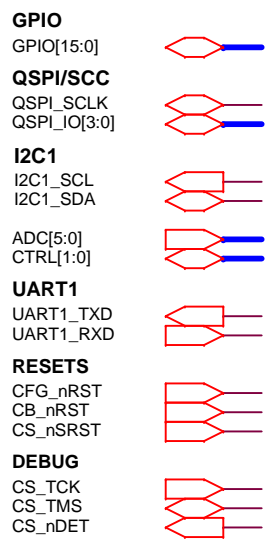
p02 - SoC



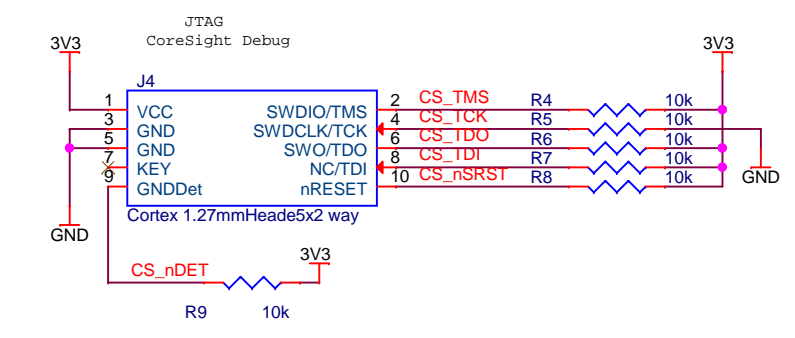
AMBA®
mbed®
CryptoCell®



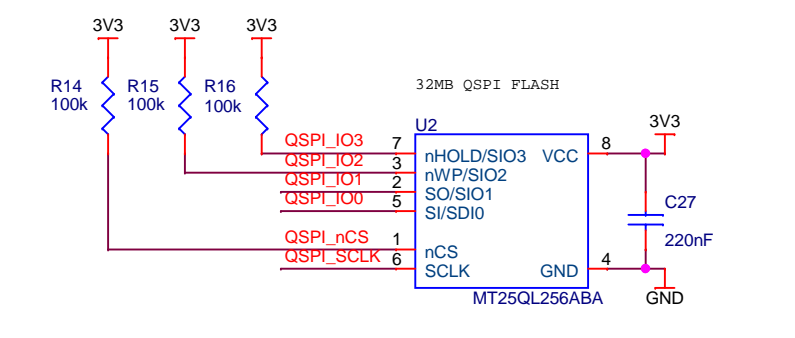
Copyright © 2017 ARM Ltd. All rights reserved				
Title V2M-Musca-A				
Size A3	Document Number EOI-0326	Assembly HBI-0326	Document Variant Build A	Rev A-07
Date: Friday, October 13, 2017		Sheet 1 of 5		



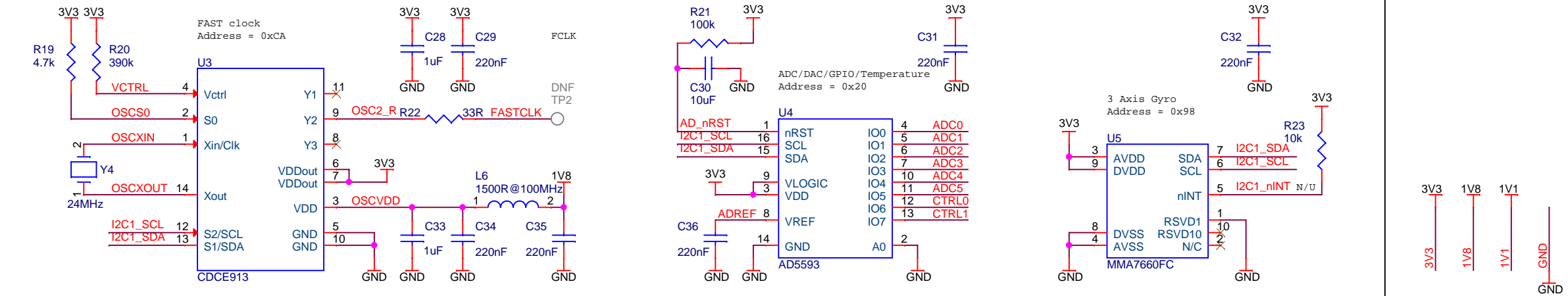
CoreSight Debug



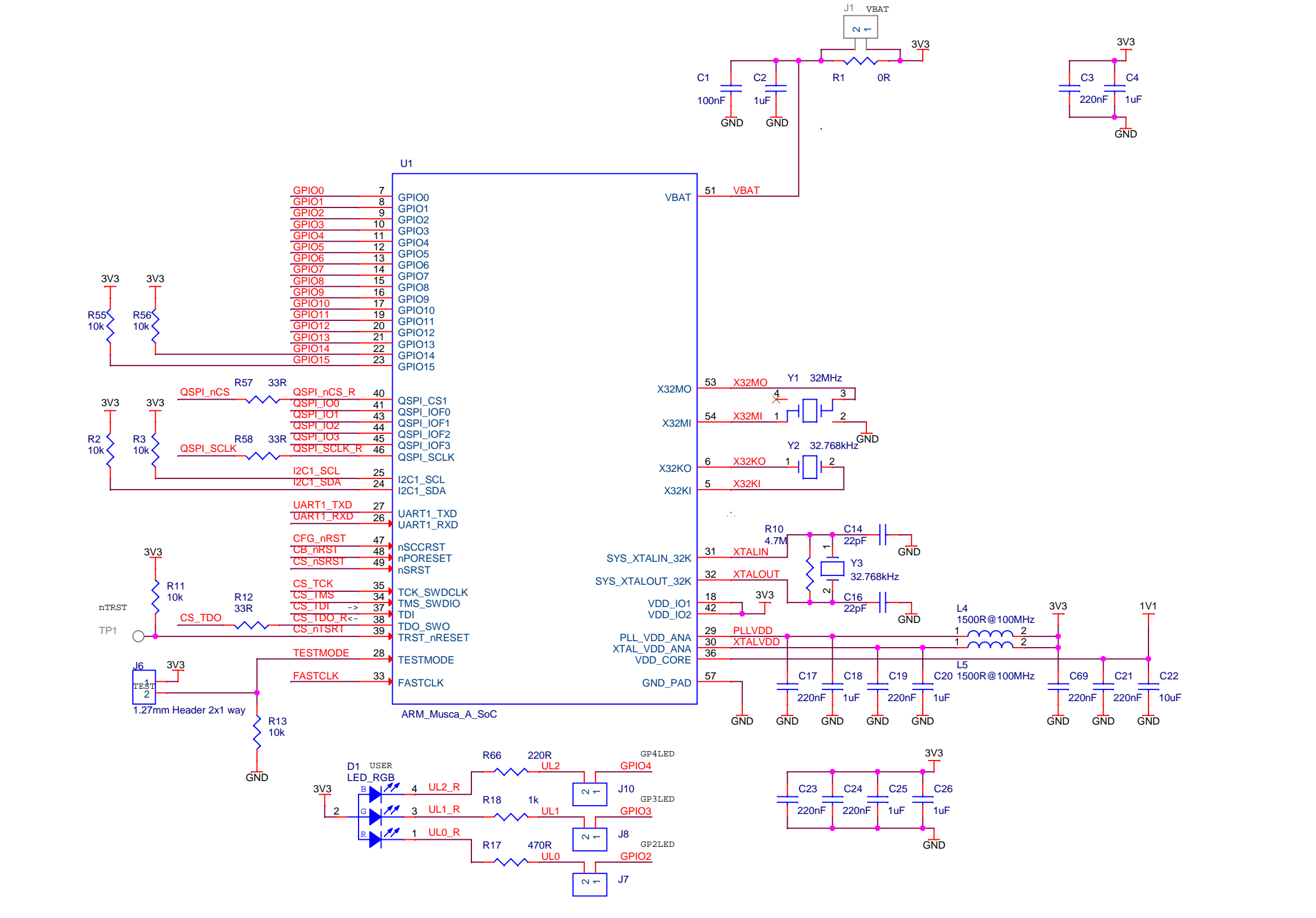
QSPI boot flash 2MB



I2C-Clock/ADC,DAC,GPIO, Temperature/Gyro



Musca-A SoC

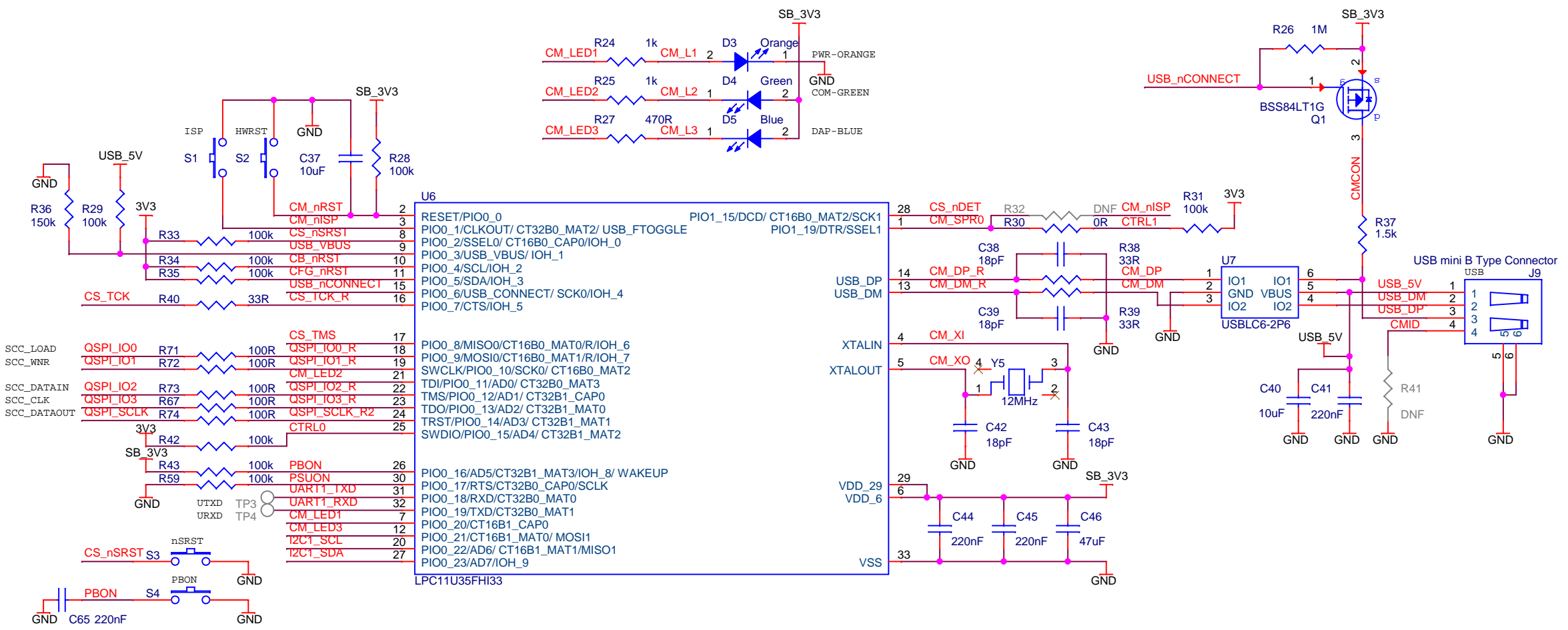


Copyright © 2017 ARM Ltd. All rights reserved

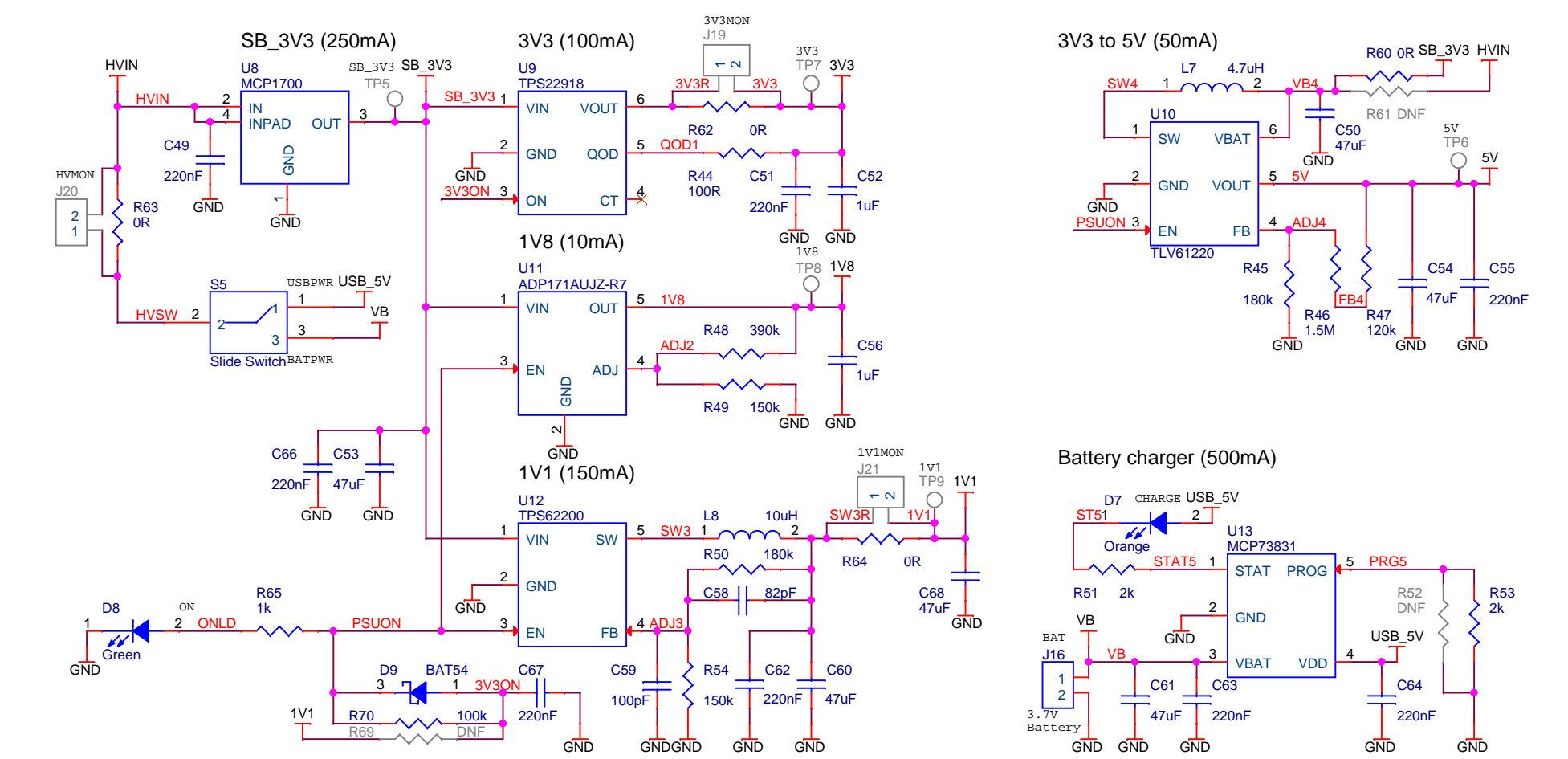
Title					SoC				
Size	Document	Number	Assembly	Document	Variant	Build	Rev		
A3	EOI-0326		HBI-0326	Build	A		A-07		
Date:	Thursday, March 29, 2018		Sheet	2		of		5	

- GPIO**
GPIO[15:0]
- QSPI/SCC**
QSPI_SCLK
QSPI_IO[3:0]
- I2C1**
I2C1_SCL
I2C1_SDA
- ADC[5:0]**
CTRL[1:0]
- UART1**
UART1_TXD
UART1_RXD
- RESETS**
CFG_nRST
CB_nRST
CS_nSRST
- DEBUG**
CS_TCK
CS_TMS
CS_nDET

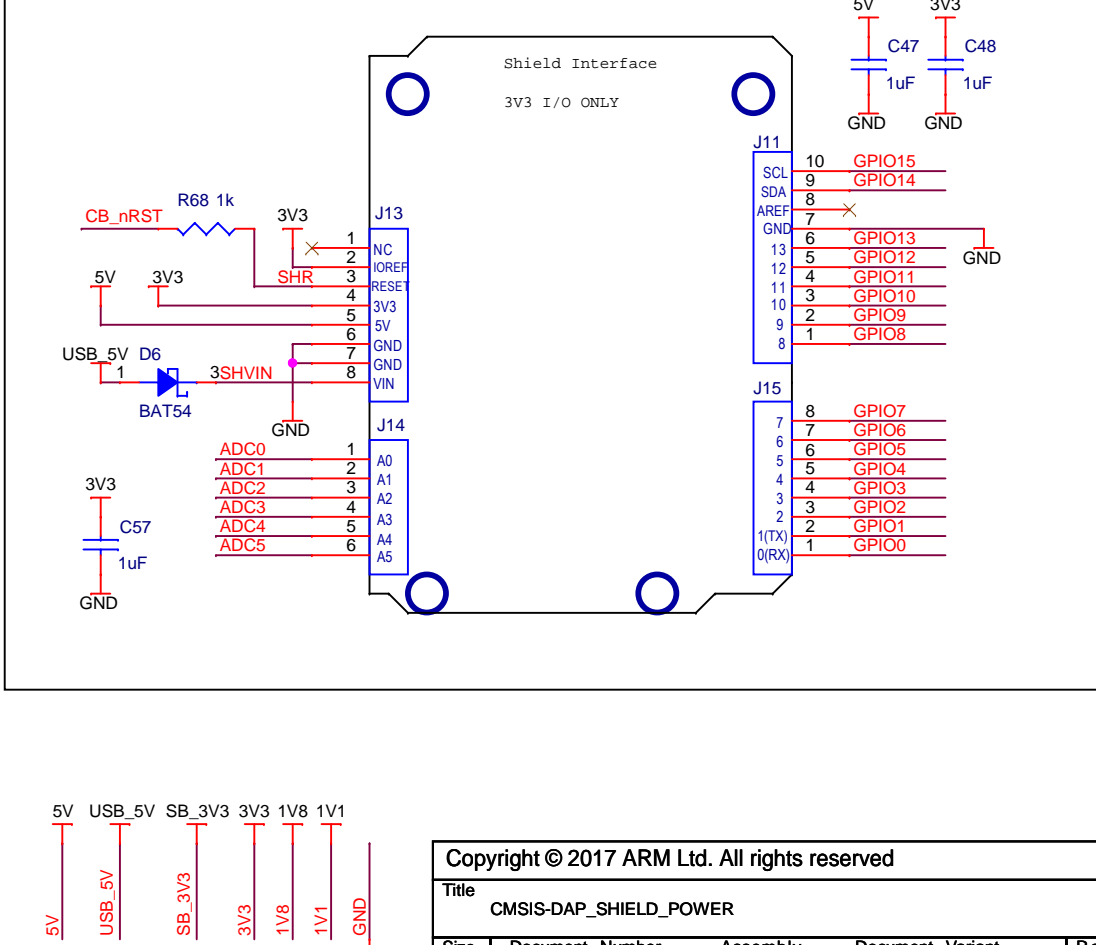
CMSIS-DAP



POWER

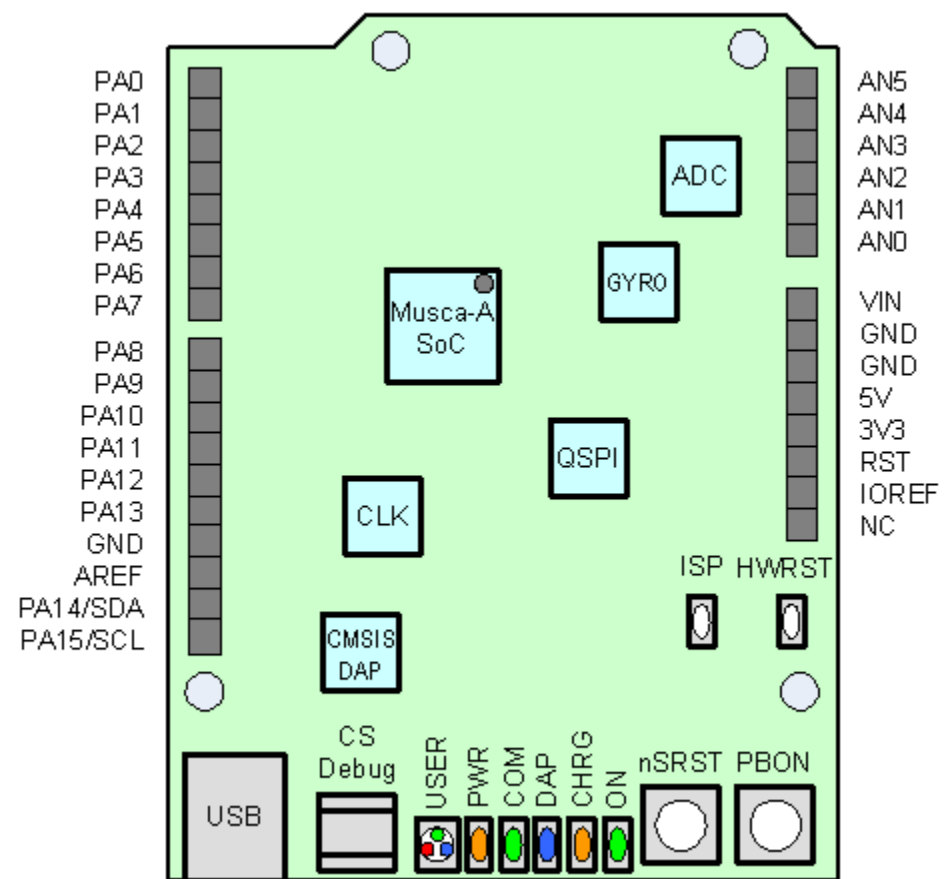


SHIELD



Copyright © 2017 ARM Ltd. All rights reserved

Title				
CMSIS-DAP_SHIELD_POWER				
Size	Document Number	Assembly	Document Variant	Rev
A3	EOI-0326	HBI-0326	Build A	A-07
Date:		Sheet		of
Friday, October 13, 2017		3		5



Copyright © 2017 ARM Ltd. All rights reserved

Title					
Layout					
Size A3	Document EOI-0326	Number	Assembly HBI-0326	Document Variant Build A	Rev A-07
Date:	Friday, October 13, 2017		Sheet	4	of 5

5

4

3

2

1

A-04 Final review

D

D

C

C

B

B

A

A

Copyright © 2017 ARM Ltd. All rights reserved					
Title Change_History					
Size A3	Document EOI-0326	Number	Assembly HBI-0326	Document Variant Build A	Rev A-07
Date:	Friday, October 13, 2017			Sheet	5 of 5

5

4

3

2

1